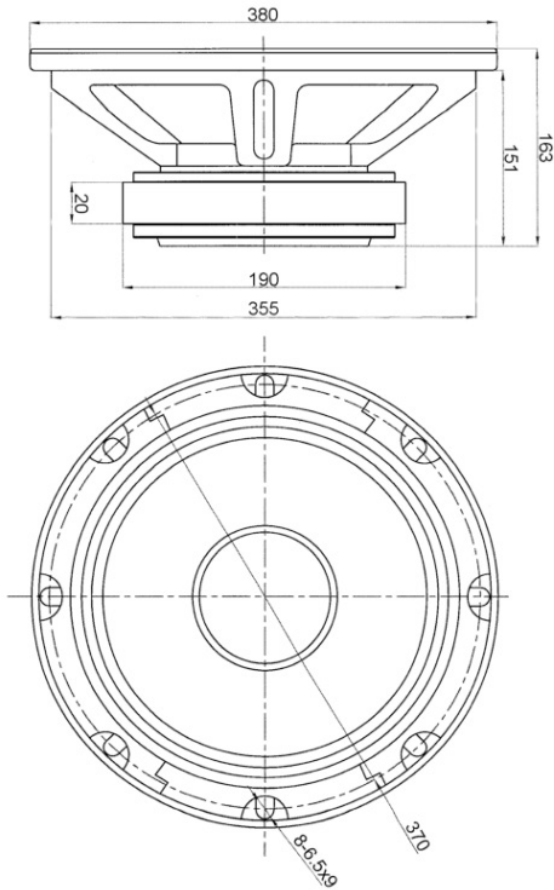




PA380-8 15" Pro Woofer 8 Ohms

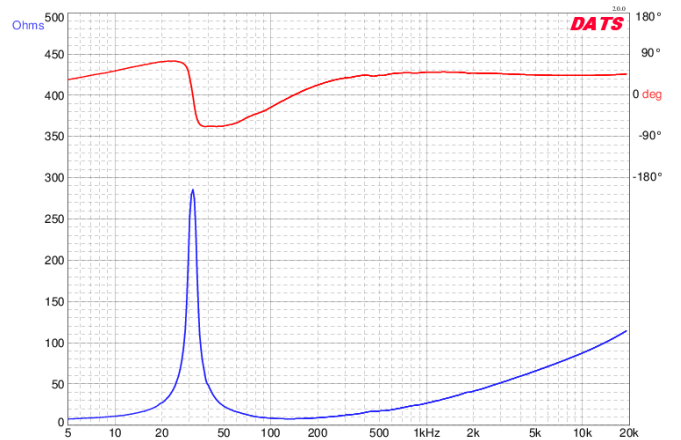
PA380-8



PARAMETERS

Impedance	8 ohms
Re	6.3 ohms
Le	4.12 mH @ 1 kHz
Fs	31.6 Hz
Qms	12.20
Qes	0.27
Qts	0.27
Mms	147g
Cms	0.17 mm/N
Sd	845.0 cm ²
Vd	422.5 cm ³
BL	25.8 Tm
Vas	175 liters
Xmax	5.0 mm
VC Diameter	76 mm
SPL	96.1 dB @ 2.83V/1m
RMS Power Handling	500 watts
Usable Frequency Range (Hz)	28 - 3,500 Hz

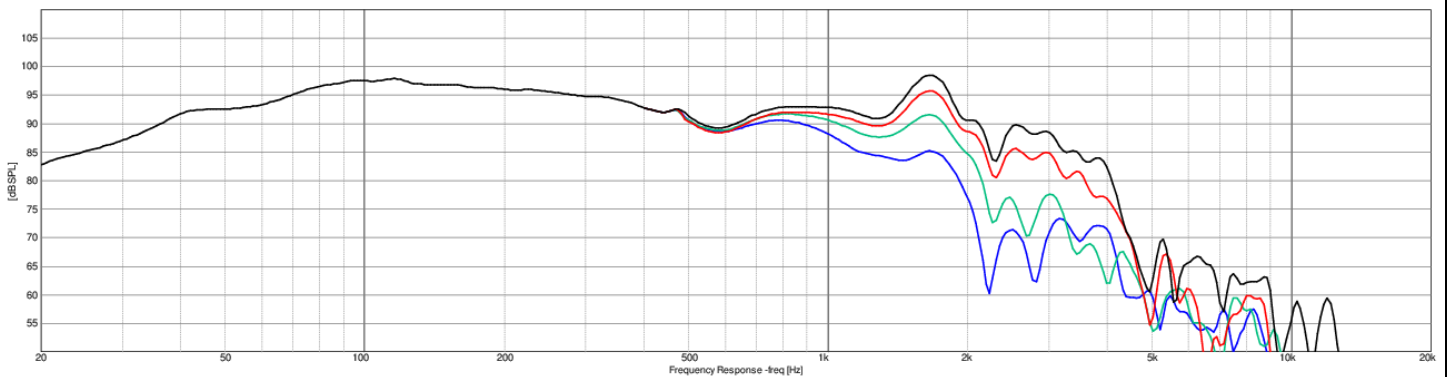
IMPEDANCE/PHASE



FEATURES

- Strong, low-mass carbon fiber impregnated paper cone
- I-beam rolled edge 1.5 mm steel frame
- Low distortion motor system w/copper cap
- Powerful 80 oz. ceramic ferrite magnet
- Vented pole piece/vented voice coil gap improve thermal management

FREQUENCY RESPONSE



Note: 1/24th octave smoothing - nearfield response included in graph below 450 Hz.

Black = 0°
Red = 15°
Green = 30°
Blue = 45°