

IS VW 180

Product Data Sheet

The IS VW 180 2-way component kit is designed for all drivers who wish to replace their original audio system with a quality sound solution. The speaker drivers employ Polyglass technology, which delivers well-defined midrange and bass. The Aluminium inverted dome tweeter, a Focal technology, provides perfect treble reproduction. This kit is designed for vehicles that have tweeter slots.



Key Points

- Quick and easy install
- No modifications needed on the vehicle
- Invisible integration
- Increased sound quality
- No additional accessories required
- Large emissive surface delivering deep bass

Check your car compatibility at www.focal-inside.com



[Volkswagen*: Touran, Tiguan II, Touareg, Passat, Beetle...]
Check online your vehicle compatibility.

Type	2-way component kit
Woofer	180mm
Tweeter	Aluminium inverted dome
Voice coil diameter	1" (25mm)
Voice coil height	1/2"
Magnet	Ferrite
Cone	Polyglass
Suspension	Butyl
Impedance	2Ω
Max. power	150W
Nom. power	75W RMS
Sensitivity (2.83V/1m)	94dB
Frequency response	50Hz-20kHz
Crossover	Woofer: integrated Tweeter: on line

FOCAL® *INSIDE*

Focal® is a trademark of Focal-JMLab® - www.focal.com - SCCG - 07/11/2020 - v1

 **FOCAL**®

IS VW 180

Technical Sheet

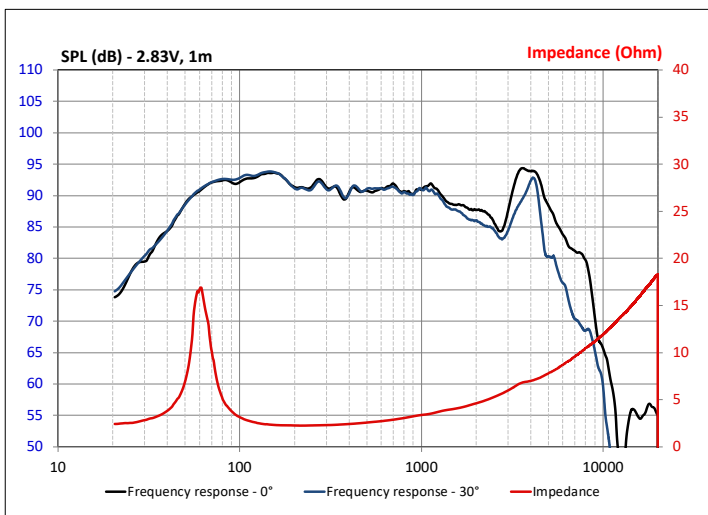
Woofer



SPECIFICATIONS

Nominal power	75W
Maximum power	150W
Sensitivity	94dB
Nom. impedance	2 Ω
Cone	Black Polyglass
Surround	Butyl
DC resistance	2.07 Ω
VC diameter	25mm 1"
Former	Kapton
Layers	2
Wire	Copper
Net weight	1050g 2.31 lbs

FREQUENCY RESPONSE/IMPEDANCE

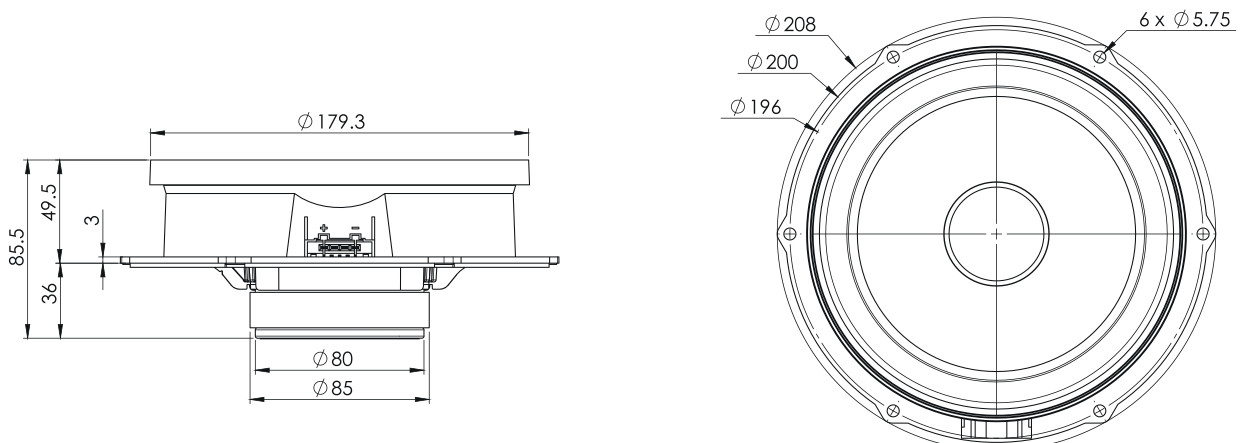


PARAMETERS

Rdc	2.07 Ω
Fs	62.4Hz
Mms	24.7g
Cms	0.264mm/N
Vas	12.6 l
Qts	0.695
Qes	0.782
Qms	6.23
Bxl	5.06N/A
Sd	183.35cm ²
SPL	88dB
Xmax	7mm

MECHANICAL DRAWING

Dimensions in mm



FOCAL® *INSIDE*

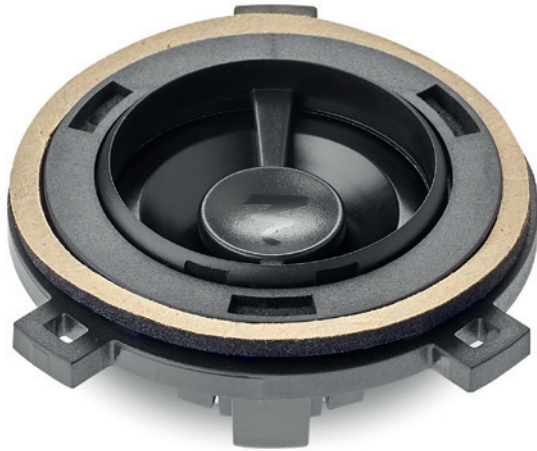
Focal® is a trademark of Focal-JMLab® - www.focal.com - SCCG - 09/11/2020 - v1

FOCAL®

TWEETER VW

Technical Sheet

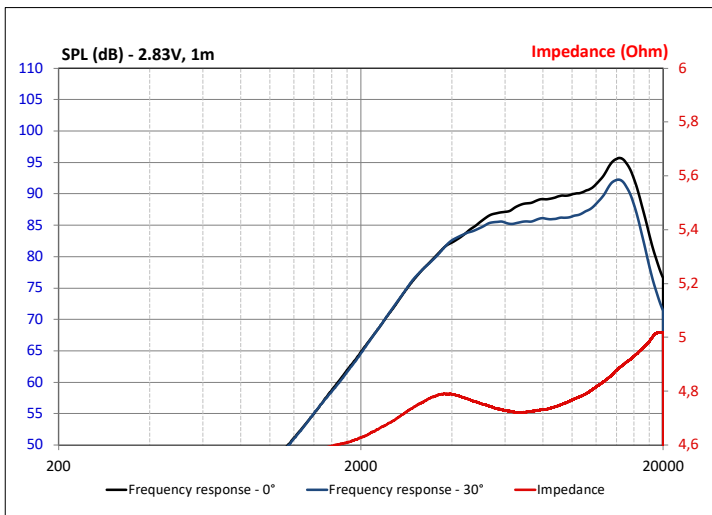
Tweeter



SPECIFICATIONS

Nominal power	15W
Maximum power	100W
Sensitivity	91dB
Nom. impedance	4 Ω
Cone	Aluminium
Surround	Fabric
DC resistance	3.5 Ω
Former	Kapton
Layers	2
Wire	Aluminium
Net weight	50g 0.11 lbs

FREQUENCY RESPONSE/IMPEDANCE

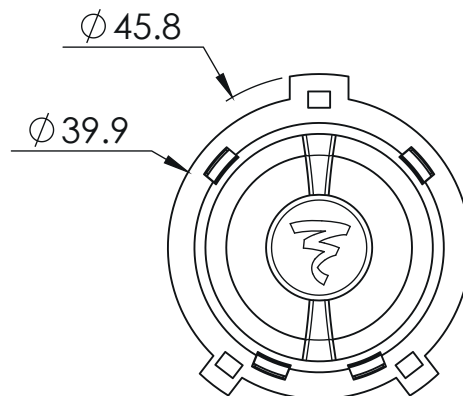
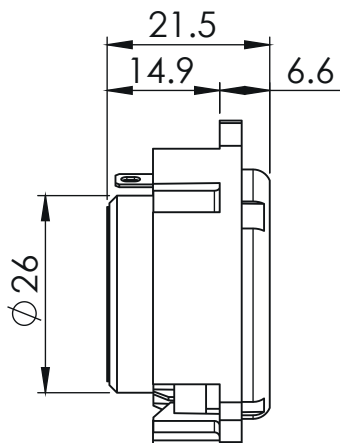


PARAMETERS

Rdc	3.5 Ω
Fs	3875Hz
Mms	24.7g
SPL	88dB

MECHANICAL DRAWING

Dimensions in mm



FOCAL® *INSIDE*

Focal® is a trademark of Focal-JMLab® - www.focal.com - SCCG - 09/11/2020 - v1

FOCAL®